



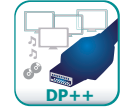
BPC370-BW

Atom

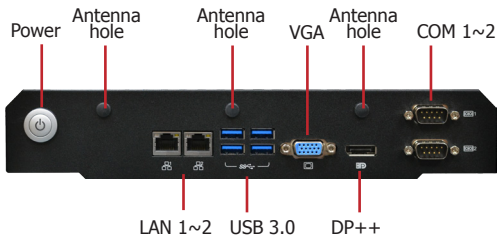


Features

- 37" 1920x540 TFT LCD Bar Type Panel PC
- 700/1000 nits brightness
- Dual display outputs: VGA + DP++
- VESA mount (400x200)
- Rich I/O: 2 LAN, 2 COM, 4 USB 3.0



Panel

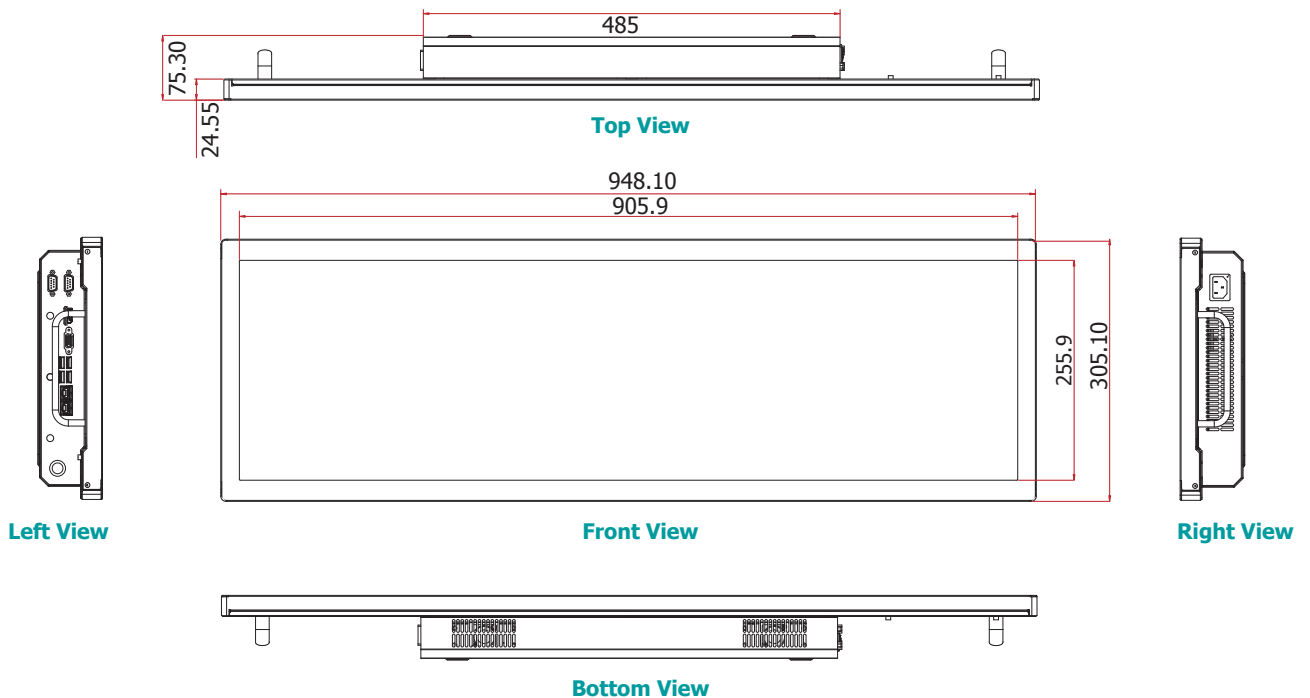


Left View



Right View

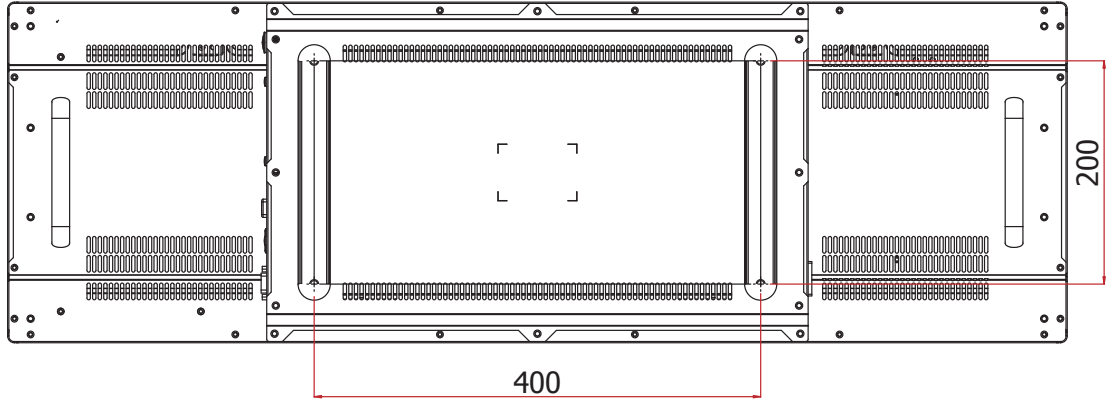
Dimensions



Specifications

SYSTEM	Processor	Intel® Pentium®/Celeron® Processor N3000 Family, BGA 1170 Intel® Pentium® Processor N3710, Quad Core, 2M Cache, 1.6GHz (2.56GHz), 6W
	Memory	One 204-pin SODIMM up to 8GB Single Channel DDR3L 1600MHz (4GB DDR3L memory by default)
	BIOS	Insyde SPI 64Mbit
DISPLAY AND TOUCH SCREEN	Display	37" 1920x540 TFT LCD Panel
	Brightness	700 cd/m ² (1000 cd/m ² available upon request)
	Contrast	4000:1
	Backlight Lifetime	70,000 hours
GRAPHICS	Controller	Intel® HD Graphics
	Feature	OpenGL 4.2, Direct X 11.1, OpenCL 1.2, OGL ES 3.0 HW Decode: H.264, MPEG2, VC1, VP8, H.265, MPEG4 HW Encode: H.264, MPEG2, MPEG4
	Display	1 x VGA 1 x DP++ VGA: resolution up to 2560X1600 @ 60Hz DP: resolution up to 3840x2160 @ 30Hz or 2560x1600 @ 60Hz
	Dual Display	VGA + DP++
STORAGE EXPANSION		1 x Full-size Mini PCIe (mSATA)
INTERFACE	Interface	1 x Half-size Mini PCIe (PCIe/USB) 1 x SIM (available upon request)
	Audio Codec	Realtek ALC888S-VD2-GR
AUDIO		
ETHERNET	Controller	2 x Intel® I211AT PCIe (10/100/1000Mbps)
LED	Indicators	1 x Power LED
BOTTOM I/O	Ethernet	2 x GbE (RJ-45) (10/100/1000Mbps)
	Serial	2 x RS-232/RS422/RS485 (DB-9)
	USB	4 x USB 3.0 (type A)
	Display	1 x VGA 1 x DP++
	Audio	Speaker 2W+2W (available upon request)
	Buttons	1 x Power Button
	Antenna Connectors	3 x Antenna Hole for Wi-Fi or Cell Module
WATCHDOG TIMER	Output & Interval	System Reset, Programmable via Software from 1 to 255 Seconds
POWER	Type	AC Input 110V ~ 240V
	Connector	C14 Power Inlet
OS SUPPORT		Windows 7 (32/64-bit) Windows 8.1 (64-bit) Windows 10 IoT Enterprise (32/64-bit) Ubuntu 15.10 (Intel graphic driver available)
MECHANISM	Construction	Sheet Metal
	IP Rating	IP65 Front Protection Glass (available upon request)
	Mounting	VESA Mount
	Dimensions (W x H x D)	948.1mm x 305.1mm x 75.3mm
	Weight	11.15 kg
ENVIRONMENT	Operating Temperature	-5 to 50°C
	Storage Temperature	-10 to 65°C
	Relative Humidity	5 to 95% RH (non-condensing)
STANDARDS AND CERTIFICATIONS	Shock	Non-OP: Half-sine, 5G @ 11ms
	Vibration	Non-OP: Sweep sine, 3Grms @ 10~500Hz, 30min
	Certifications	CE, FCC (to be applied)

VESA Mounting



▶ Ordering Information

Model Name	Part Number	Description
BPC370-BWN3710	750-BC3700-000G	37" Bar Type Panel PC, Intel® Pentium® N3710, 700 nits, 4GB Memory, 32GB mSATA, RoHS
BPC370-BWN3710	750-BC3700-100G	37" Bar Type Panel PC, Intel® Pentium® N3710, 700 nits, 4GB Memory, 32GB mSATA, Speaker 2W+2W, RoHS
BPC370-BWN3710	750-BC3700-200G	37" Bar Type Panel PC, Intel® Pentium® N3710, 1000 nits, 4GB Memory, 32GB mSATA, RoHS
BPC370-BWN3710	750-BC3700-300G	37" Bar Type Panel PC, Intel® Pentium® N3710, 1000 nits, 4GB Memory, 32GB mSATA, Speaker 2W+2W, RoHS

▶ Optional Items

Optional Items	Part Number	Description
Wi-Fi	761-110091-000G	Wi-Fi kit, RoHS
Power Cord	785-PWRD	Power cord, Standards (USA/EUR/CH), 1.8m, RoHS
Front Protection Glass	TBD	Front protection glass

▶ Packing List

• 1 BPC370-BW Panel PC
• 1 CD disk includes:
- Manual